

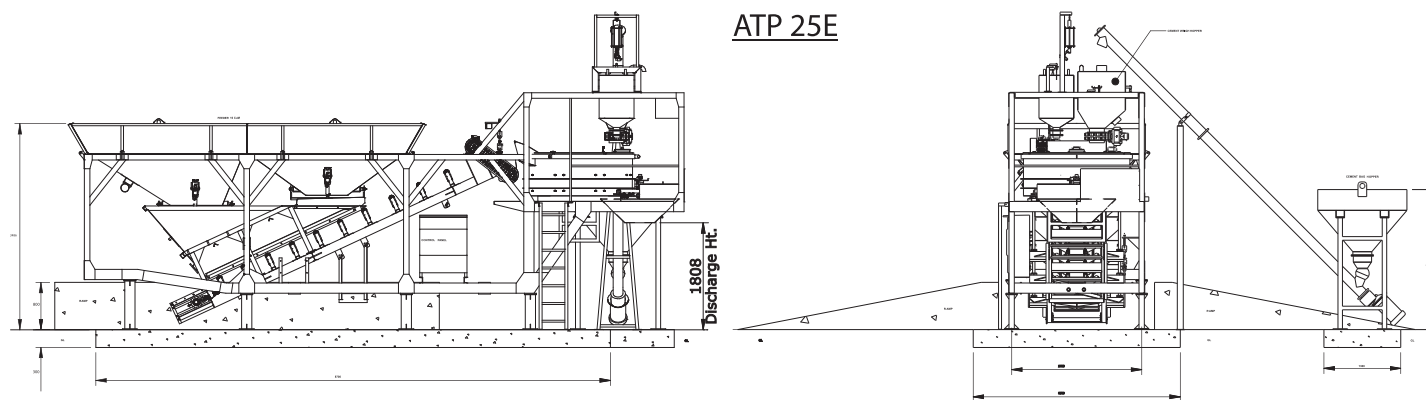


www.apolloinfratech.com

Compact Design Quality Concrete

Technical Specifications for Model ATP 25E & 30 E

1. Concrete Output/hr (Under ideal condition and continuous operation)	25m ³	30m ³
2. Aggregate Storage System	Compartment Bin	Compartment Bin
a. Aggregate Storage Bins / Capacity	4 Nos./ 10 m ³	4 Nos./ 10 m ³
b. Vibrator Motor	1No.	1No.
3. Aggregate Weighing System	Yes	Yes
a. Weighing Hopper	Yes	Yes
b. Electromagnetic Load Cell	4 Nos.	4 Nos.
4. Mixer Unit	Yes	Yes
a. Type	Pan	Pan/Planetary
b. Capacity	600 / 400	750/500
c. Side & Bottom Lining	Anti Wear	Anti Wear
d. Mixing & Side Scrapper Blade	Anti Wear	Anti Wear
5. Cement / Flyash Weighing System	Yes	Yes
a. Cement / Flyash Hopper	Yes	Yes
b. Electromagnetic Load Cell	3 Nos.	3 Nos.
c. Vibrator Motor	1 No.	1 No.
6. Cement Screw conveyor with Bag Hopper/Capacity	Yes / 30 Bags	Yes / 30 Bags
7. Pneumatic system	Yes	Yes
a. Air Compressor	2 hp	2 hp
8. PLC based Control System [Mobile Panel]	Yes	Yes
9. Water System	Weighing	Weighing
a. Electro Magnetic Load cell	1 No.	1 No.
b. Water Connection [Optional]	50 NB	50 NB
10. Connected Load for Standard Plant - HP	46	53
11. Required DG set - kva	80	80
12. Required land area for batching plant (w/o storage)	12 x 12 mtrs	12 x 12 mtrs



- With Apollo's policy of constant upgradation of products, specifications are subject to change without prior notice.
- Accessories shown here are optional and not the part of standard supply.



Apollo Infratech Private Limited
 Ahmedabad-Mehsana State Highway, Village: Rajpur 382715,
 Taluka: Kadi, Dist: Mehsana, Gujarat, INDIA
 Tel: +91 90990 71618, 90991 44644
 E-mail: info@apolloinfratech.com
www.apolloinfratech.com

ifma1996@gmail.com/March_20

Concrete Batching Plant : Compact Series
 ATP 25 E & 30 E



Pan Mixer

- Newly designed Pan Mixer with side and in side scrapers for perfect mixing
- The floor & full wall of the mixing cylinders are lined with special wear resistant and replaceable plates
- Long service life and low operating cost
- Detachable arms & easy fittings
- Easy for maintenance
- Rubber line scraper



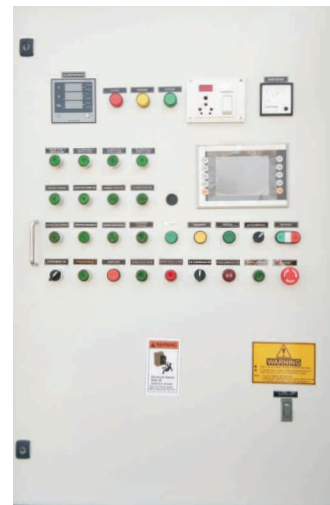
Planetary Mixer

- Italian designed SICOMA make Planetary Mixers.
- Large pan volume mixer small to full capacity loads with equally fast mixing and discharge times. More Production per hour.
- Compulsory mixing action gives better strength to concrete.
- Triple armed stars give faster more through mixing action.
- Anti wear liner tiles are harder and giving much longer life. More years of production.
- Hydraulically operated rubber Sealed discharge door eliminate leakage, close reliably every time. Manual lever backup.



PLC based control system

- PLC based panel with HMI display
- All Motors are protected through MPCBs
- Ammeters for all Critical Motors
- Easy to calibrate scale
- Facility for life long data saving in USB
- Auto offset facility
- Accurate, reliable & easy to use
- Gate Inching facility for more weighing accuracy
- Auto-Manual & Manual-Auto operation
- High Speed Weighing



Concrete Batching Plant : Compact Series ATP 25 E [On Wheels (Optional)]

Benefits

- Robust and steady structure made from square and rectangular tube for longer durability and protection from corrosion
- Easy and quick to erect and operate
- No foundation required
- Less space required for installation due to its compactness
- Easy maintenance and low running cost
- Single Weighing and conveying belt for faster cycle time for more output
- MPCB are provided for all electrical motor safety
- Cover is provided to every electrical motor for protection against dust and water
- Quick exhaust valve fitted with all Pneumatic Cylinders to maintain accuracy in weighing system
- Easy mobility hence easy site shifting

Standard Supply

- Compartment type aggregate storage bins
- Weighing bin with conveyor
- Cement bag filling hopper with screw conveyor
- PLC base control panel with HMI display
- Cement weighing hopper
- Additive weighing container
- Water weighing hopper
- Air compressor

On Request

- Admixture dosing system
- Water connection
- Discharge conveyor
- Towing system with wheels
- Computer
- Printer



ATP 25E (Standard Supply)