

[www.apolloinftratech.com](http://www.apolloinftratech.com)



# Paving the way to progress & prosperity



● Fixed Form Concrete Paver  
STP 3750/4500/5500/7500

**Apollo**<sup>®</sup>  
CONCRETE SOLUTIONS

# Fixed Form Concrete Paver

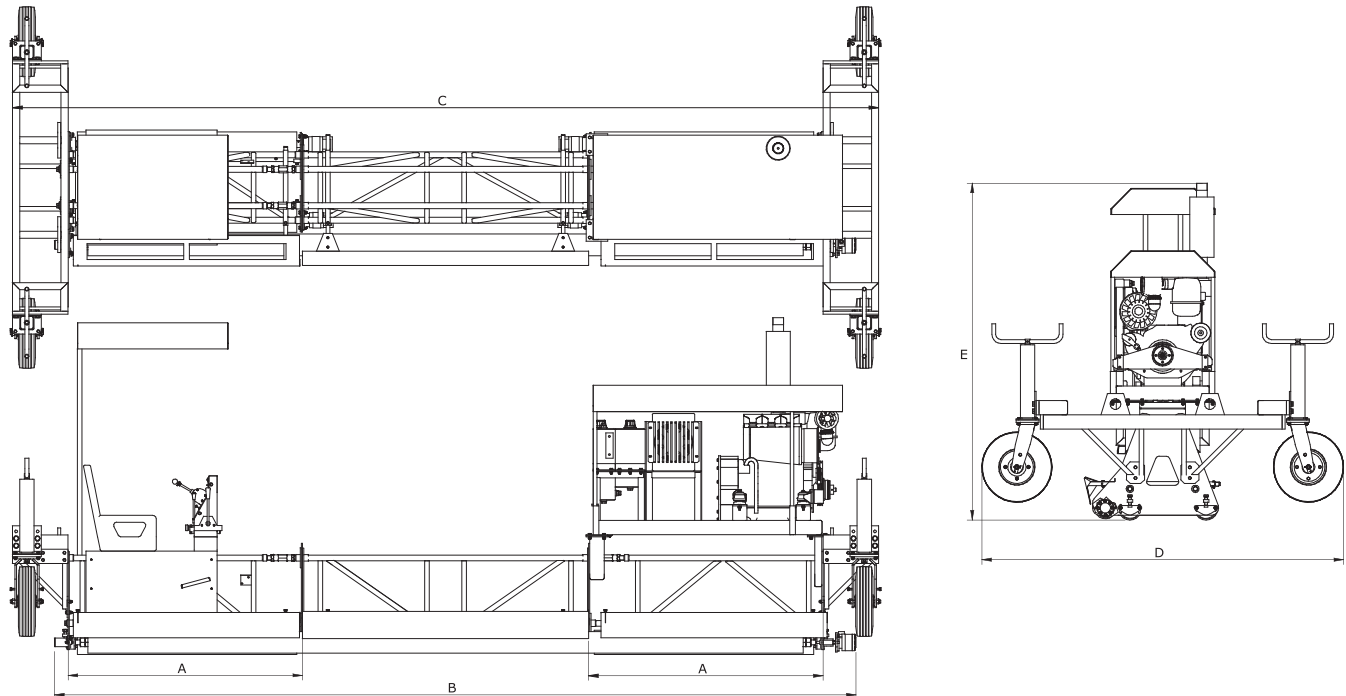
[available width : 3.75 mtr to 7.5 mtr]

## Technical Details

<b>PRIME MOVER</b>	Engine 34 HP@1500 RPM
<b>DRIVE TUBE SPEED</b>	0-80 RPM
<b>STRIKE TUBE SPEED</b>	0-400 RPM
<b>HYDRAULIC TANK CAPACITY</b>	40 LTR
<b>FUEL TANK CAPACITY</b>	44 LTR
<b>SCREW JACK WITH TYRES</b>	4 NOS.
<b>SUPPLY VOLTAGE</b>	12 V DC

## Features

- Finishing width up to 7.5 meter. Machine can finish up to 200 Sq. mtr / hour
- Frames are made from hollow sections.
- Hydraulic drive system for dependable operations.
- Control unit includes all hydraulics and mechanical drives.
- Steering is effortlessly and precisely controlled with levers governing two sets of drive tubes.
- Four mechanical swivel type jacks with tires for height adjustment fitted at each end of structure. It also helps to position the paver on the forms as well travel in or out of panel area.
- Self mounted powerful halogen lamps recharged through battery.
- Multiple pass capability facilitates leveling of high spots and filling surface voids.
- Other Paving Length variants available on request.
- Optional : 2 Needle vibrators.



Paver Model Dimension	STP 3750 mm	STP 4500 mm	STP 5500 mm	STP 7500 mm
A	1640	1640	1640	1640
B	4870	5620	6620	8620
C	5300	6050	7050	9050
D	2530	2530	2530	2530
E	2360	2360	2360	2360

- With Apollo's policy of constant upgradation of products, specifications are subject to change without prior notice.
- Accessories shown here are optional and not the part of standard supply.



**Apollo Infratech Private Limited**  
 Ahmedabad-Mehsana State Highway, Village: Rajpur 382715,  
 Taluka: Kadi, Dist: Mehsana, Gujarat, INDIA  
 Tel: +91 90990 71618, 90991 44644  
 E-mail: info@apolloinfratech.com

[www.apolloinfratech.com](http://www.apolloinfratech.com)